

Minuteman[®]

Model: 383500

PowerBoss[®]

3800 Rider

Sweep System Plus

■ OPERATION ■ SERVICE ■ PARTS ■ CARE

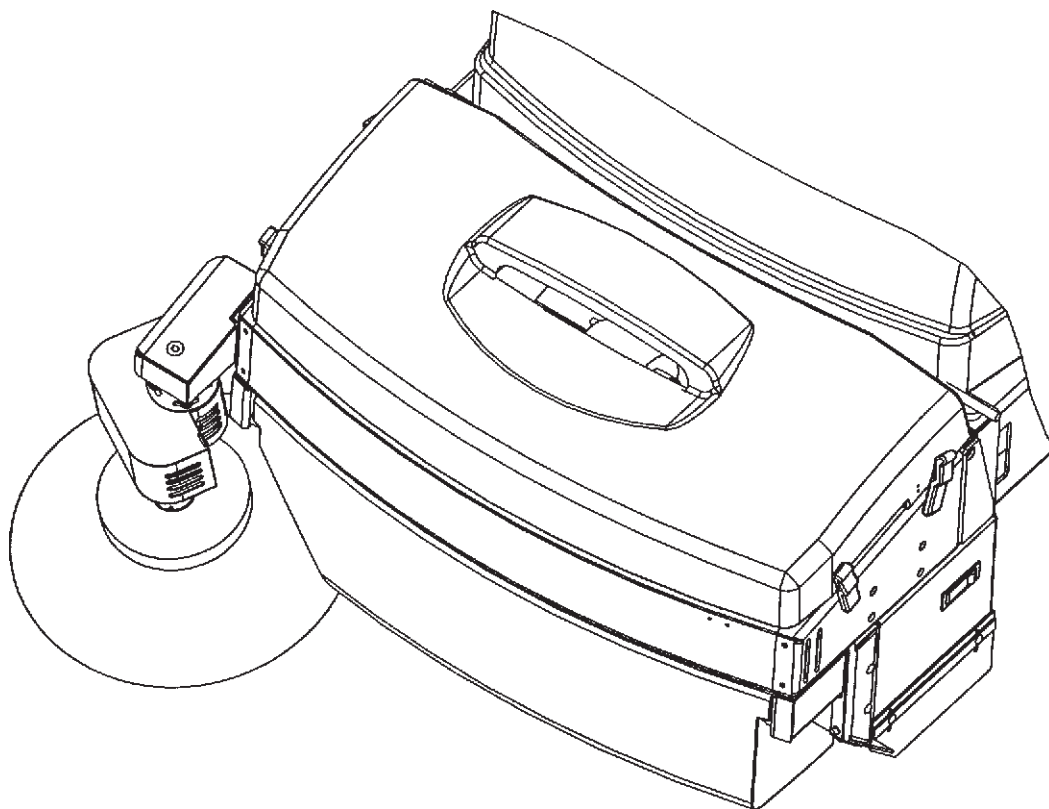


TABLE OF CONTENTS

Safety Instructions	1
Installation Instructions	2
Removal Instructions	2
Operation	3
Main Broom Adjustment	3
Main Broom Replacement	4
Side Broom Adjustment	5
Side Broom Replacement	5
Filter Replacement	5
Filter Cleaning	5
Components	6, 7, 8
Main Assembly	9, 10, 11
Hopper Track	12
Main Broom Assembly	14
Side Broom	15
Chart	16
Side Cover	17, 18
Wiring Diagrams	19, 20

IMPORTANT SAFETY INSTRUCTIONS

CAUTION:

Operators must read and understand this manual before operating or maintaining this machine.

Disconnect wiring harnesses between 3800 and Sweep System Plus before disconnecting Sweep System Plus from 3800.

Press Red Emergency Disconnect Button before installing/removing Sweep System Plus from 3800.

Press Red Emergency Disconnect Button before changing brooms on Sweep System Plus.

All covers and doors must be closed before use.

Keep hands and feet clear of moving parts while machine is in operation.

Disconnect the power to the machine by pressing the Red Emergency Disconnect Button when charging batteries or during installation or removal of pads.

During operation, loose objects on the floor can become dangerous projectiles if struck by the high speed brooms. Special attention should be paid in removing or avoiding loose floor tile, electrical cables, and telephone connection boxes.

During operation, attention should be paid to other persons in the work area, especially small children.

Electrical motors and components can cause an explosion when operated near explosive materials or vapors. Do not operate this machine near flammable materials such as solvents, thinners, fuels, grain dust, etc.

Make sure the Red Emergency Disconnect Button is pressed and the battery connector is unplugged from the machine before performing any service or maintenance procedures.

Store or park this machine on a level surface only, with parking brake engaged. To prevent unauthorized use, machine should be stored with key removed.

These machines are designed for level floor operation only. *Do not operate on ramps or inclines.*

This machine is not suitable for picking up hazardous dusts.

Use caution when moving this machine into areas that are below freezing. Any water in the tanks or hoses can cause damage.

Do not clean machine with a pressure washer.

Battery acid can cause burns. When working on or around batteries, wear protective clothing and safety glasses. Remove metal jewelry. Do not lay tools or metal objects on top of batteries.

Charging batteries generates explosive gases. **DO NOT CHARGE BATTERIES WHEN OPEN FLAMES OR SPARKS ARE PRESENT. DO NOT SMOKE.** Make sure the charger is turned off before disconnecting it from the machine. Charge the batteries in a well-ventilated area with the battery cover removed completely.

Authorized personnel must perform maintenance and repairs.

SAVE THESE INSTRUCTIONS

INSTALLATION INSTRUCTIONS

1. **Depress Red Emergency Disconnect Switch on 3800 Rider.**
2. Remove Sweep System Plus from pallet (Fig. 1).
3. Remove hitch pins (Fig. 2).
4. Remove corner rollers from 3800 Rider.
5. Roll Sweeper into position at front of 3800 Rider (Fig. 2). (Be sure not to pinch the electrical cables).
6. Attach Sweeper to 3800 Rider using hitch pins (Fig. 2).
7. Remove Sweeper carts (Fig. 3). Attach carts together and store (Fig. 4).
8. Electrical Connection: Connect power and circular connectors from Sweeper to the mating connectors under the main machine.

REMOVAL INSTRUCTIONS

1. Turn Sweeper power “on”. When Sweeper is fully down, move switch to neutral position (see “OPERATION” section).
2. **Depress Red Emergency Disconnect Switch on 3800 Rider.**
3. Electrical Disconnection: Disconnect power & circular connectors under the main machine.
4. Attach carts to left and right side of machine using (4) bolts provided (Fig. 3).
5. Remove hitch pins.
6. Roll Sweeper away from 3800 Rider.
7. Re-attach corner rollers using hitch pins.

OPERATION

TO SWEEP:

1. Turn on 3800 Rider power.
2. Move “Presweep Switch” (in operator compartment) to down position.
3. Drive machine.

TO STOP SWEEPING:

1. Move “Presweep Switch” to up position.
2. Allow filter shaker to finish before turning off 3800 Rider power.

TO EMPTY HOPPER:

1. Move “Presweep Switch” to down position.
2. After Sweeper pivots down, move “Presweep Switch” to neutral (middle) position.
3. **Depress Red Emergency Disconnect Switch on 3800 Rider.**
4. Pull hopper from front of machine using finger hold on bottom of hopper.

MAIN BROOM ADJUSTMENT (Fig. 5)

BROOM HOPPER ADJUSTMENT IS PERFORMED AS FOLLOWS:

1. Remove hopper.
2. Tighten bottom nut to lower brush and tighten upper nut to raise broom.
3. Replace hopper.

Broom should be in contact with the floor when deployed. When pre-sweep is raised, broom should not be in contact with the floor.

MAIN BROOM REPLACEMENT

1. **Depress Red Emergency Disconnect Switch on 3800 Rider.**
2. Open left hand side door and remove wing nuts (Fig. 6).
3. Remove broom-mounting plate and pull out broom (Fig. 7).
4. Install new broom. Make sure notched side is inserted first. Notches must be placed over pins in drive side hub (Fig. 8).
5. Re-install broom-mounting plate. Be sure to insert rotating hub into broom cylinder (Fig. 6).
6. Close and latch left hand side door.

SIDE BROOM ADJUSTMENT

The side broom height may be adjusted at either the attachment point on the mainframe or the motor shaft. The side broom pitch is fixed.

ADJUSTMENT @ MAINFRAME (Fig. 9)

1. Loosen (4) attachment bolts inside mainframe.
2. Raise or lower broom to desired height.
3. Retighten bolts.

ADJUSTMENT @ MOTOR SHAFT (Fig. 10)

1. Remove rue ring and clevis pin.
2. Reposition broom to desired shaft setting.
3. Re-insert clevis pin and rue ring.

SIDE BROOM REPLACEMENT (Fig. 10)

1. Remove rue ring.
2. Slide out clevis pin.
3. Slide broom off of shaft.
4. Replace broom, re-insert clevis pin and rue ring.

FILTER REPLACEMENT

1. Remove lid.
2. Remove filter and replace with new filter (NOTE: Air flow direction is up).
3. Replace lid.

FILTER CLEANING

Clean panel filter according to the instructions on the panel filter (see below):

- Clean filter by one of these methods -

Tapping

Tap gently on flat surface -
dirty side down



Water

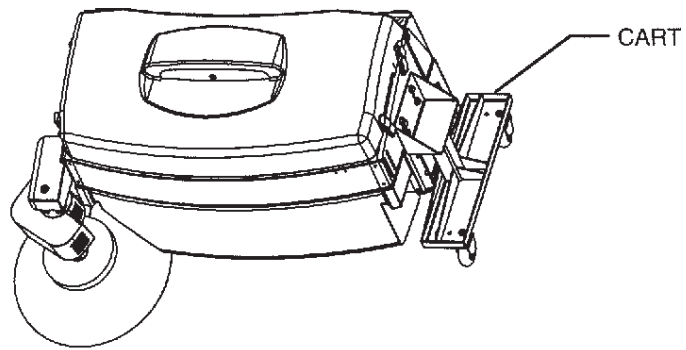
1. Soak 15 min. in water and D1400*
 2. Rinse until clean
(max. pressure 40 PSI).
 3. Air dry - do not use compressed air.
- *Donaldson D1400 element cleaner.



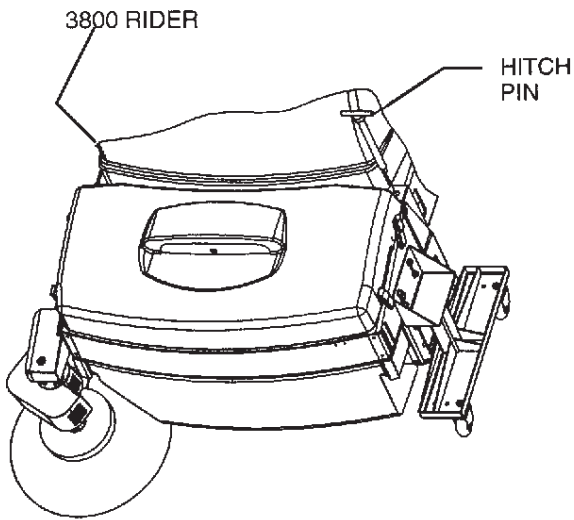
Air

Direct compressed air
thru panel opposite the
direction





**FIG 1 SWEEP SYSTEM PLUS
(AS SHIPPED)**



**FIG 2 SWEEP SYSTEM PLUS
INSTALLATION**

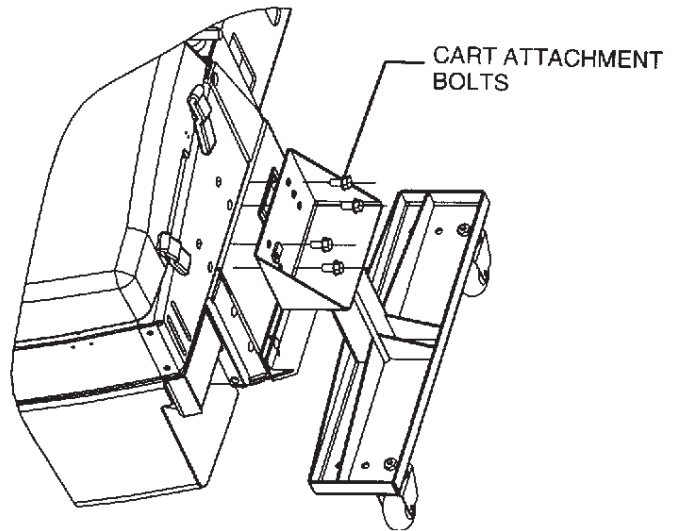


FIG 3 CART REMOVAL

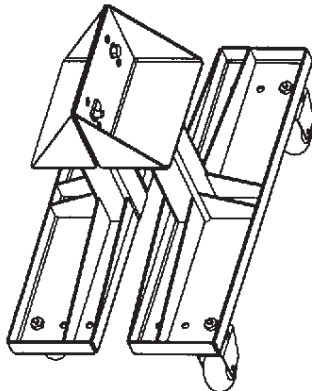


FIG 4 CART STORAGE

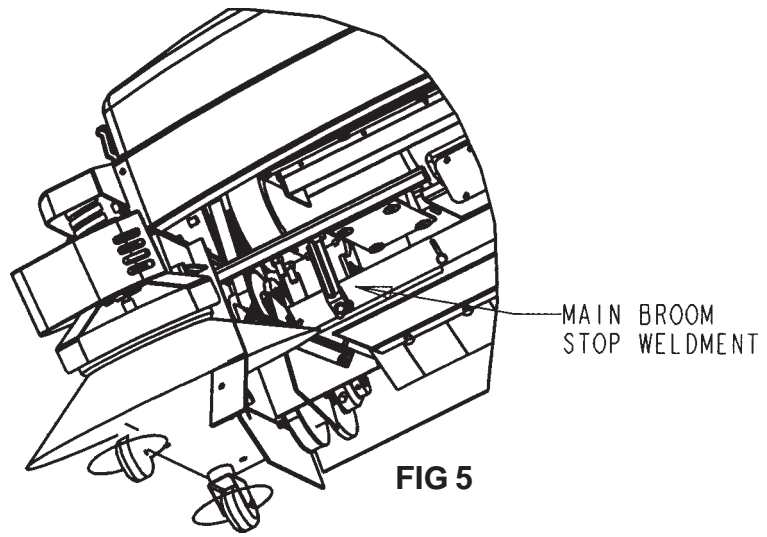
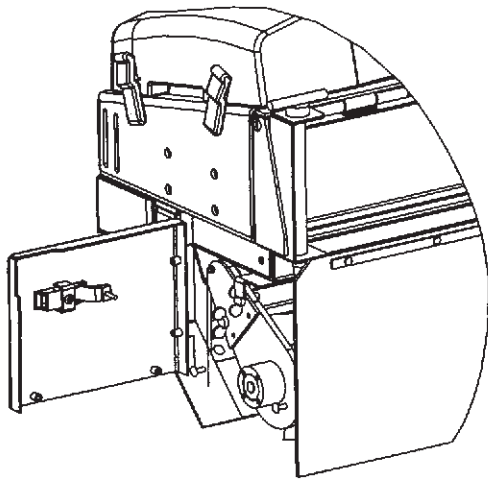


FIG 5



**FIG 6 LH SIDE DOOR & MAIN
BROOM MOUNTING PLATE**

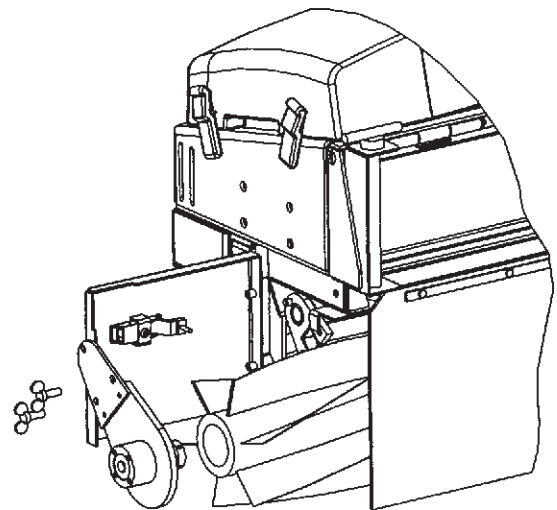
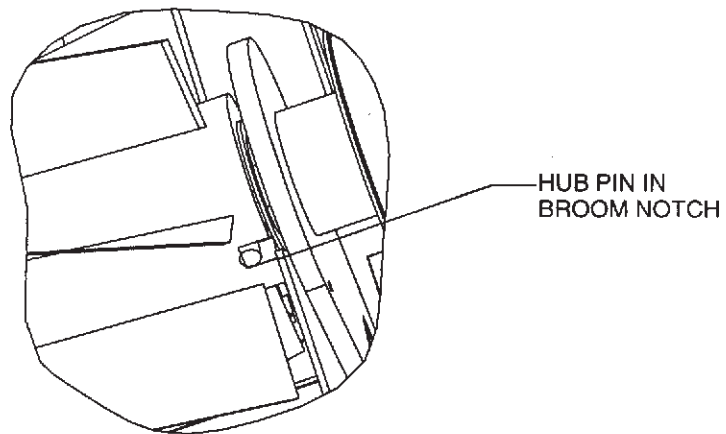


FIG 7 MAIN BROOM REMOVAL



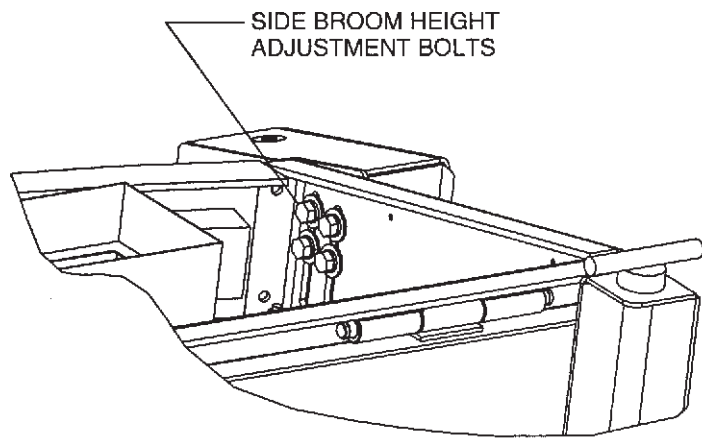
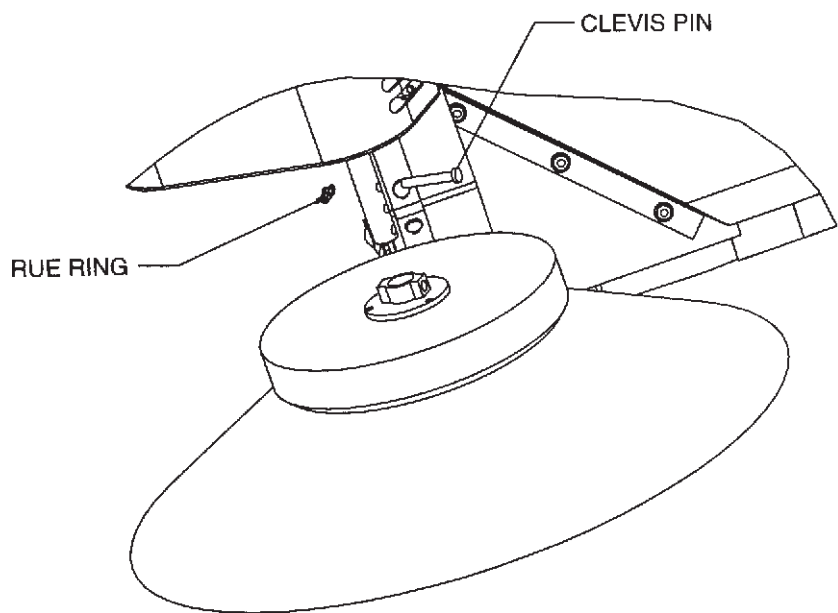
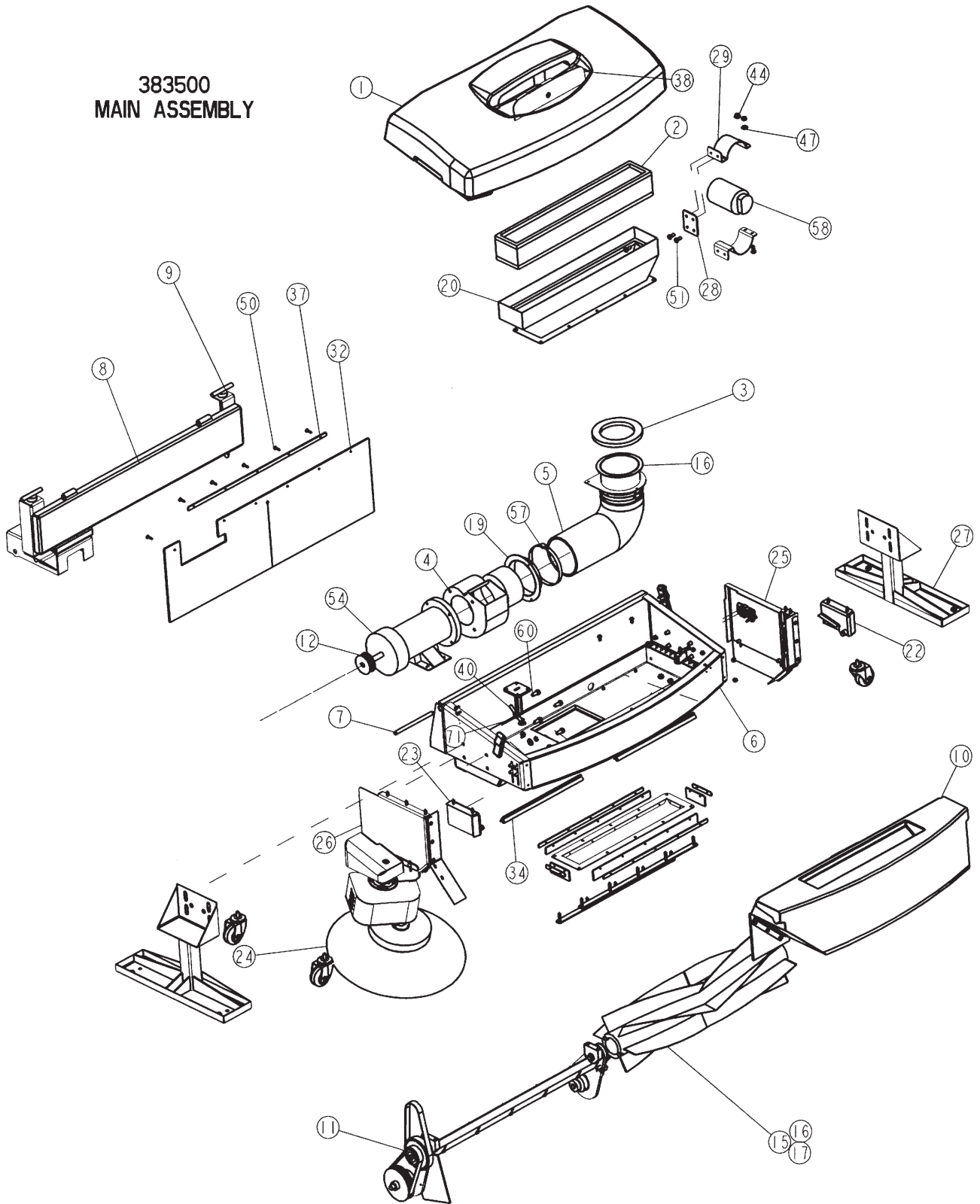


FIG 9 SIDE BROOM ADJUSTMENT MAINFRAME



383500
MAIN ASSEMBLY

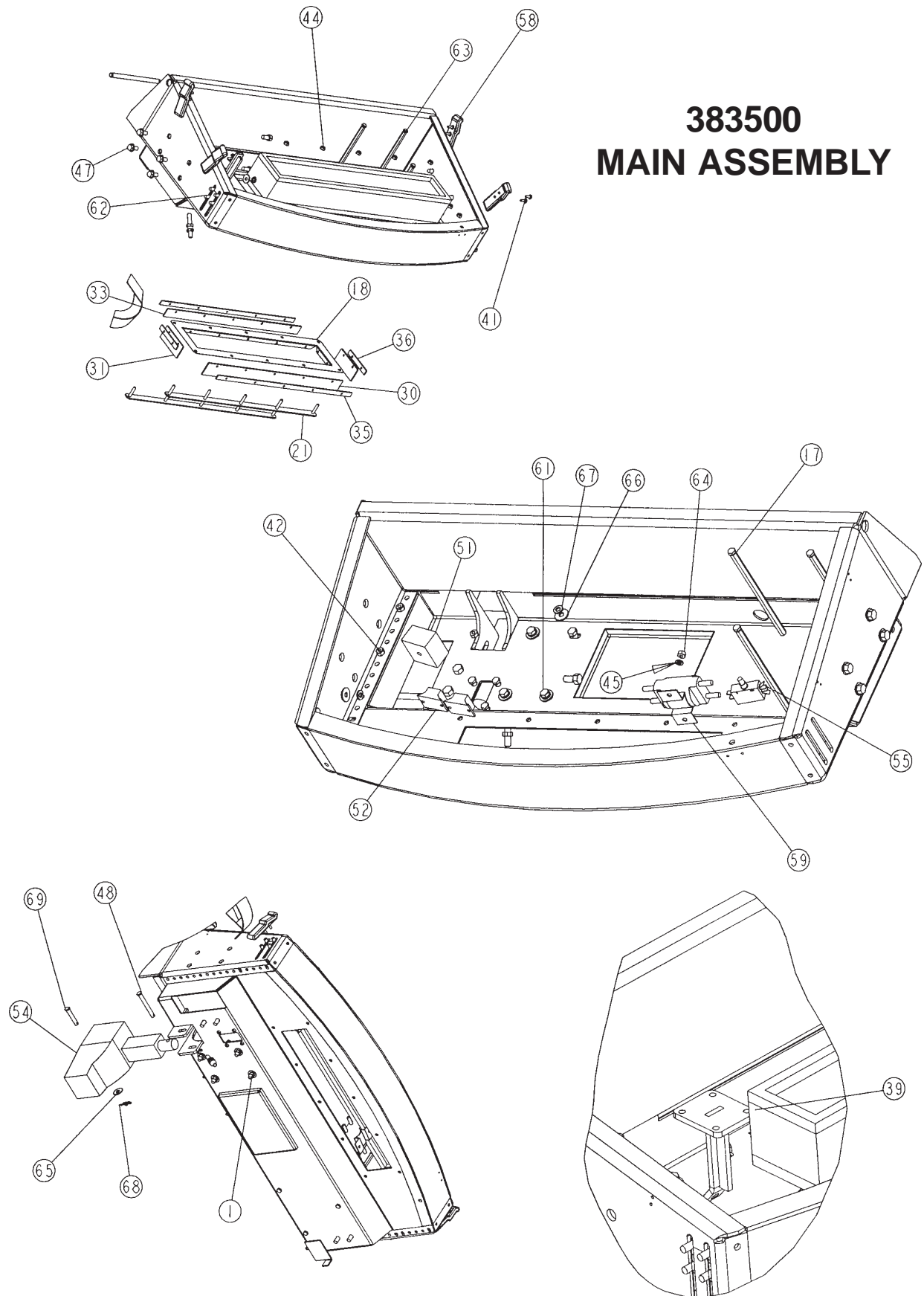


383500 MAIN ASSEMBLY

Item	Part No.	Qty.	Description	Item	Part No.	Qty.	Description
1	383502	1	Lid, 3800 Presweep	37	383695	1	Retainer Back
2	383503	1	Filter Assy.	38	383700	1	Lid Screen
3	383505	1	Gasket, Dust Duct	39	383701	1	Broom Stop Weldment
4	383507	1	Fan/Fan Housing Assy.	40	383710	1	Rod-Threaded 3/8-16 x 2 1/2
5	383508	1	Hose, Dust Control	41	450207	4	Flex Latch
6	383511	1	Presweep Mainframe Weldment	42	711160	8	#10 x 5/8 Hi-Lo
7	383524	2	Hinge Pin	43	711373	9	Nut, Hex 1/4-20 Nyloc ZP
8	383525	1	Presweep Mtg. Frame	44	711374	6	Nut-Nloc x 5/16-18
9	383535	2	Hitch Pin Wmt.	45	711425	10	Nut, Hex 1/4-20 Wiznut
10	383540	1	Hopper Assy.	46	711544	6	WSR-Helical 1/4
11	383560	1	Main Broom Arm Assy.	47	711575	6	WSR-Flat .31 x .75 x .06ST
12	383596	1	Pulley, "L" Timing, 20 Tooth	48	712083	8	Bolt Flgd Wizz Loc 3/8-16
13	383601	1	Stabdard Broom, Proex & Wire	49	712103	1	Clevis Pin, 3/8 x 3
14	383602	1	Optional Broom, Proex	50	712537	6	10-24 .75 SS Truss Hd. SCR
15	383603	1	Optional Broom, Nylon	51	712575	6	BLT-HH 5/16-18 - .75
16	383610	1	Hose Mtg. Wmt.	52	741200	1	Timer
17	383615	3	Standoff, Duct	53	741300	2	Terminal Block
18	383616	1	Seal Attachment Plate	54	742702	1	Motor
19	383617	1	Intake Ring Wmt.	55	742712	1	Actuator, Brush 3800 Rider
20	383620	1	Intake Duct	56	743031	1	Switch, DPDT
21	383621	2	Retainer, Bottom	57	808744	2	Hose Clamp
22	383625	1	Hopper Track Assy. LH	58	3305001	1	Shaker Assy.
23	383630	1	Hopper Track Assy, RH	59	3315204	3	Solenoid
24	383635	1	Side Broom Assy.	60	3400032	8	SCR-Hex 3/8 - 16 x .75 ZP
25	383655	1	Side Cover Assy., LH	61	3400035	4	Bolt-HH 5/16-18 x 1
26	383660	1	Side Cover Assy., RH	62	3400036	4	Bolt-HH 5/16-18 x 3/4
27	383677	2	Cart Assy.	63	3400043	10	Bolt-HH 1/4-20 x 1/2 Gr 5
28	383678	1	Mounting Plate	64	340070	4	Nut, Hex 5/16-18 ZP
29	383679	2	Mounting Bracket	65	3400071	6	Nut, Hex 1/4-20
30	383683	1	Seal, Duct Front/Back	66	3400087	2	3/8 Flat WSR
31	383684	2	Seal, Duct Side	67	3400088	12	5/16 Flat WSR
32	383685	1	Seal, Rear	68	3400102	8	5/16 Lock WSR
33	383686	1	Seal, Duct Front/Back	69	3400125	2	Rue Ring - 1/4 Heavy ZP
34	383688	2	Seal, Compartment	70	3400266	1	Clevis Pin, 3/8 x 2
35	383693	2	Retainer, Duct Front/Back	71	3400338	2	Nut 3/8-16 SS
36	383694	2	Retainer, Duct Side				

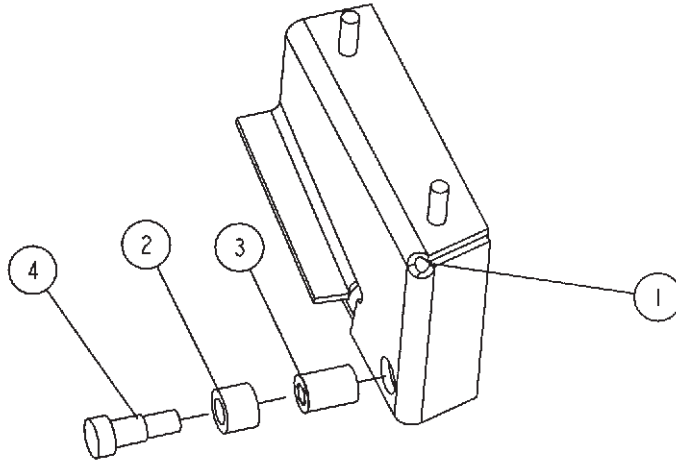
(Additional 383500 Figures on Page 11.)

383500 MAIN ASSEMBLY



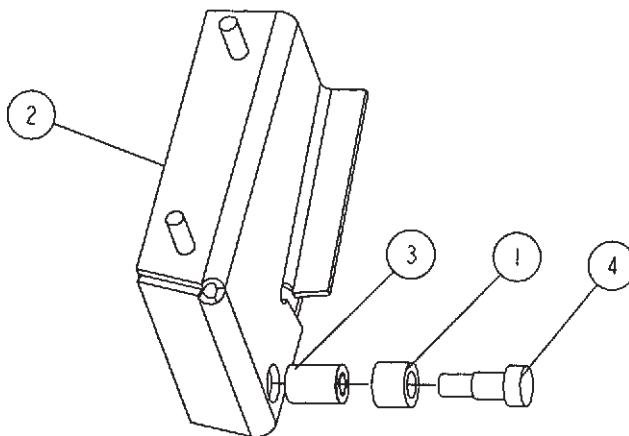
383625 HOPPER TRACK ASSY LH

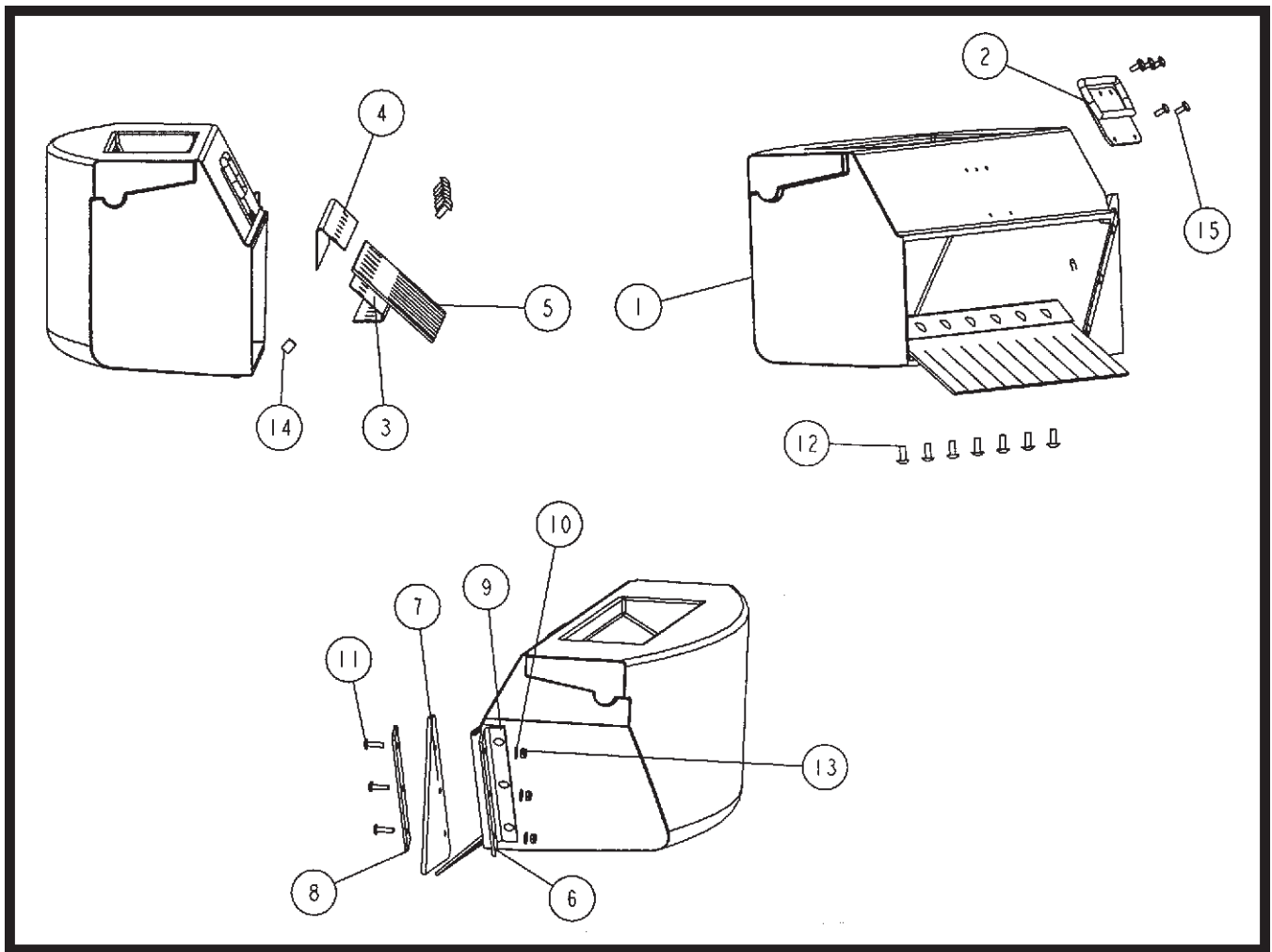
Item	Part No.	Qty.	Description
1	383626	1	Hopper Track Wmt. LH
2	383629	1	Sleeve Bearing, 3/8 ID x 5/8 OD
3	3322190	1	Insert 5/16-18 UNC
4	3400943	1	Shoulder Bolt 1/2 - 1/2



383630 HOPPER TRACK ASSY RH

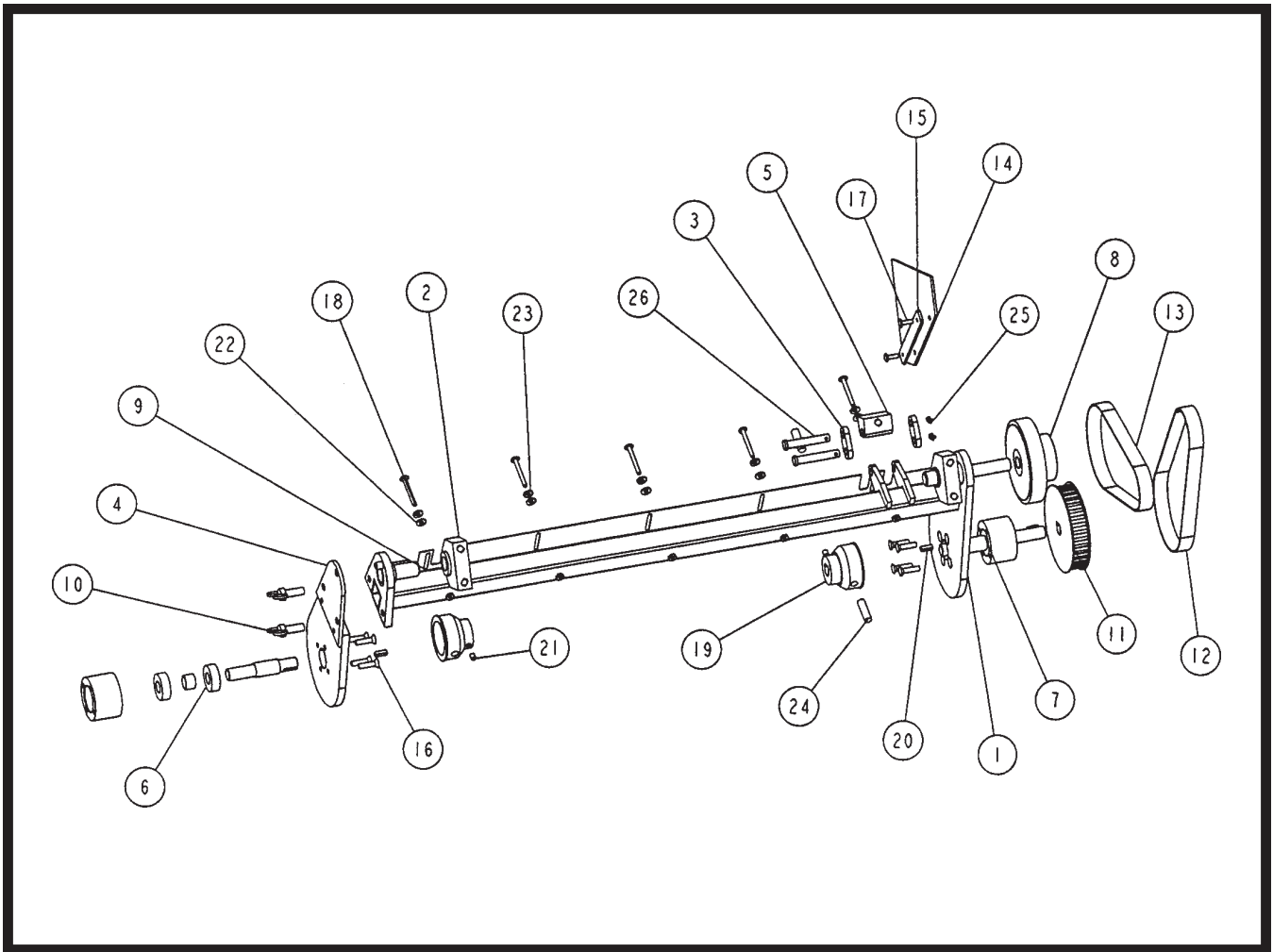
Item	Part No.	Qty.	Description
1	383629	1	Sleeve Bearing, 3/8 ID x 5/8 OD
2	383631	1	Hopper Track Wmt. RH
3	3322190	1	Insert 5/16-18 UNC
4	3400943	1	Shoulder Bolt 1/2 - 1/2





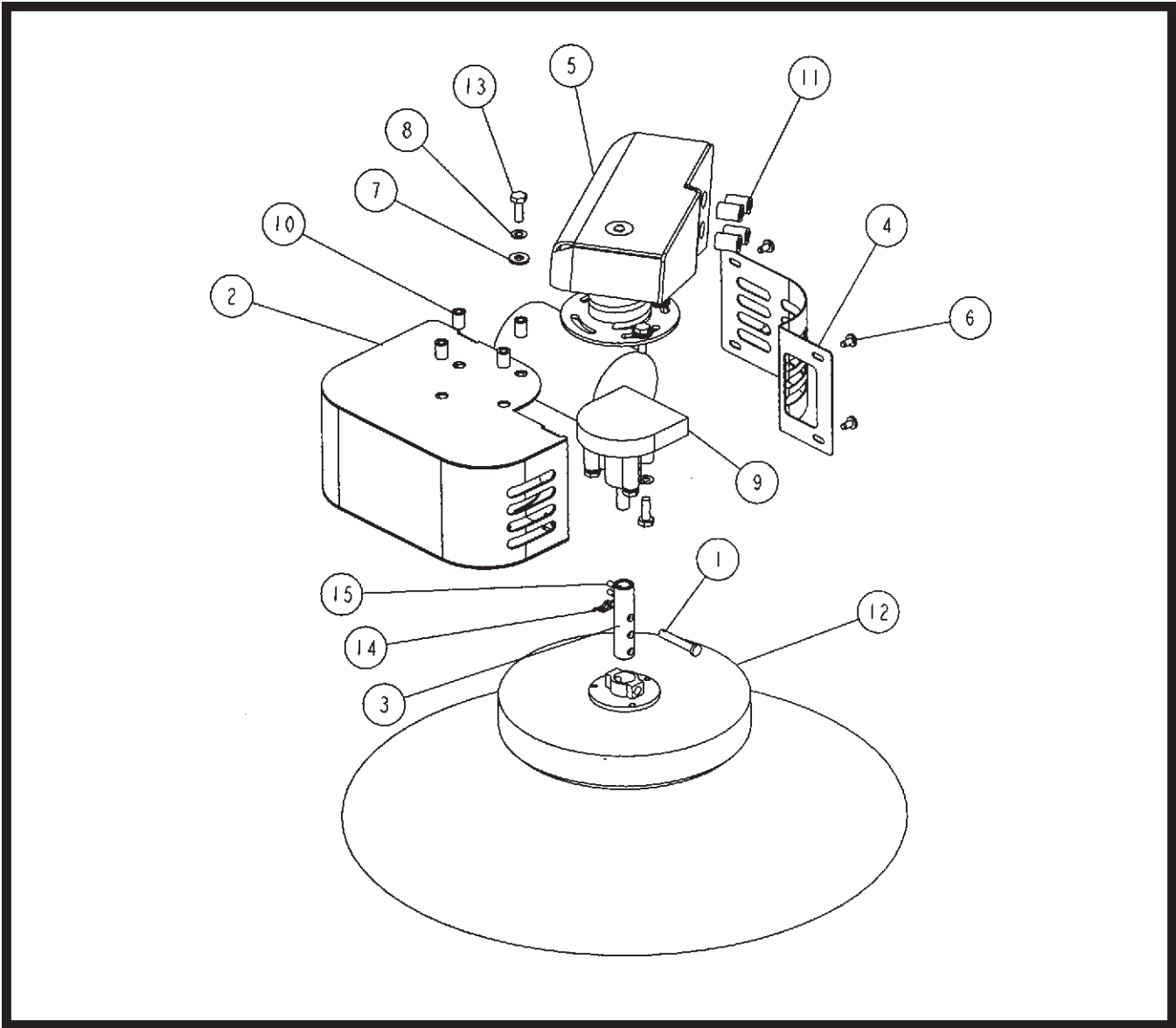
383540 HOPPER ASSEMBLY

Item	Part No.	Qty.	Description
1	383501	1	Hopper, 3800 Presweep
2	383541	1	Handle, Nielsen 945
3	383542	1	Hopper Ramp
4	383543	1	Retainer, Hopper Flap
5	383547	1	Flap, Hopper
6	383548	1	Hopper Seal Attachment Bracket
7	383682	1	Hopper Seal
8	383692	1	Hopper Seal Retainer
9	711160	3	#10 5/8 Hi-Lo
10	711503	3	#10 WSR
11	712537	3	10-24 x .75 SS Truss Hd. SCR
12	712565	14	SCR-MC 1/4-20 x .63 SS
13	712638	3	Nut, Hex 10-24 Nyloc SS
14	3322188	14	Insert 1/4-20 UNC
15	3400816	5	10-24 x .50 SS Truss Hd. SCR



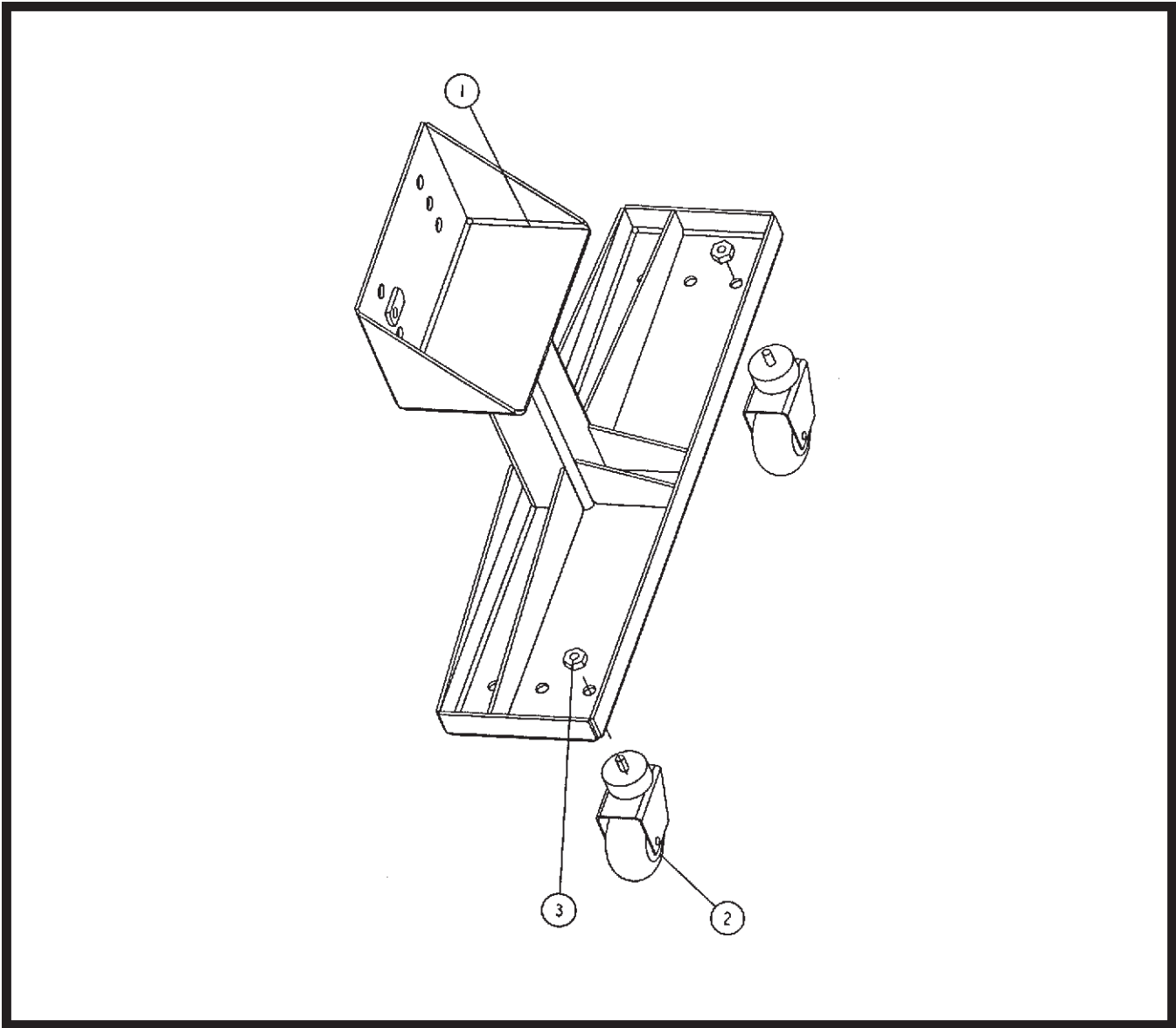
383560 MAIN BROOM ASSEMBLY

Item	Part No.	Qty.	Description
1	383561	1	Brush Arm Weldment
2	383571	2	Pivot Block Assy.
3	383573	2	Pivot Link
4	383575	1	Brush Attachment Weldment
5	383578	1	Block, Adjustment
6	383580	1	Brush Bearing Assy. LH
7	383584	1	Brush Bearing Assy. RH
8	383585	1	Reduction Pulley Assy.
9	383593	1	Cutoff
10	383594	2	Wing Bolt, 3/8-16 x 1
11	383595	1	Pulley, "L" Timing 36 Tooth
12	383597	1	Belt, Timing 3/8 62 Groove
13	383598	1	Belt, Timing 3/8 56 Groove
14	383687	1	Overspray Guard
15	383697	1	Overspray Guard Retainer
16	710584	8	SCR-MC 1/4-20 x 1.00 STPL Flat Hd.
17	712536	2	10-24 x .75 SS Truss Hd. SCR
18	712815	5	SCR-MC 10-24 x 1.75 STPL
19	3323296	2	Driver, Main Broom TC/I
20	3323859	3	Key 3/8 x 3/8 5/8
21	3400054	2	Set Screw, 1/4-20 x .25
22	3400095	5	Washer Flat #10 ZP
23	3400104	5	Washer Lock #10 Split ZP
24	3400738	2	Roll Pin, 3/8 x 1 1/4
25	3400742	2	Rue Ring - 1/4 Heavy ZP
26	3400752	2	Clevis Pin, 3/8 x 2 1/4



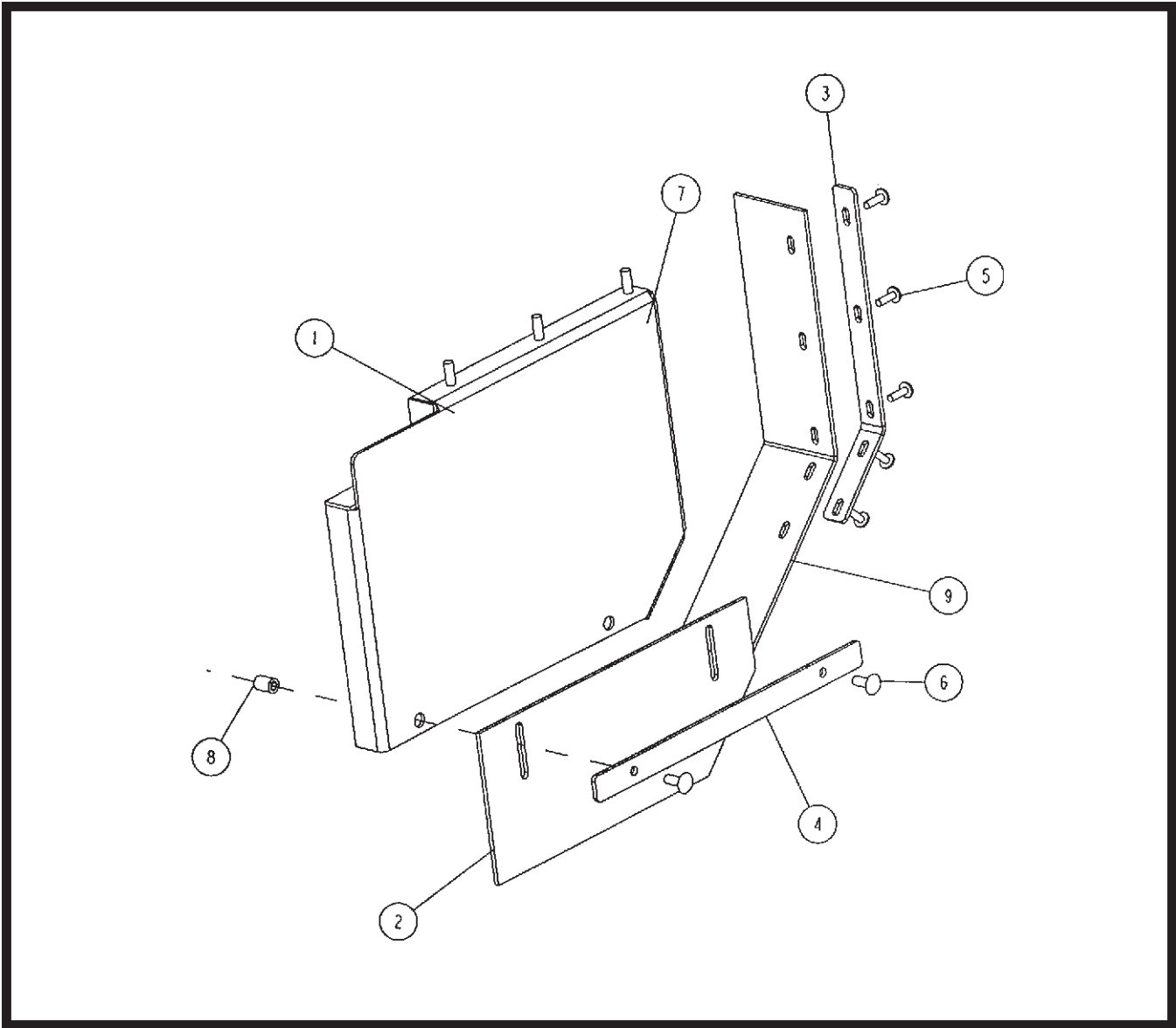
383635 SIDE BROOM ASSY

Item	Part No.	Qty.	Description
1	361221	1	Clevis Pin
2	383645	1	Side Motor Housing Wmt.
3	383649	1	Broom Mount Shaft
4	383650	1	Cover, Housing
5	383703	1	Side Broom Mount Assy.
6	711124	4	Pan Head ST #10 x .37
7	711505	4	1/4 WSR
8	711554	7	WSR-Internal Lock 1/4 ID
9	742781	1	Motor, Right Angle Gear
10	3322188	4	Insert 1/4-20 UNC
11	3322190	4	Insert 5/16-18 UNC
12	3322382	1	Side Broom
13	3400042	7	Bolt-HH 1/4-20 x 3/4 Gr 5
14	3400742	1	Rue Ring - 1/4 Heavy ZP
15	3400812	2	SCR-Set 8-32 x .25 UNC



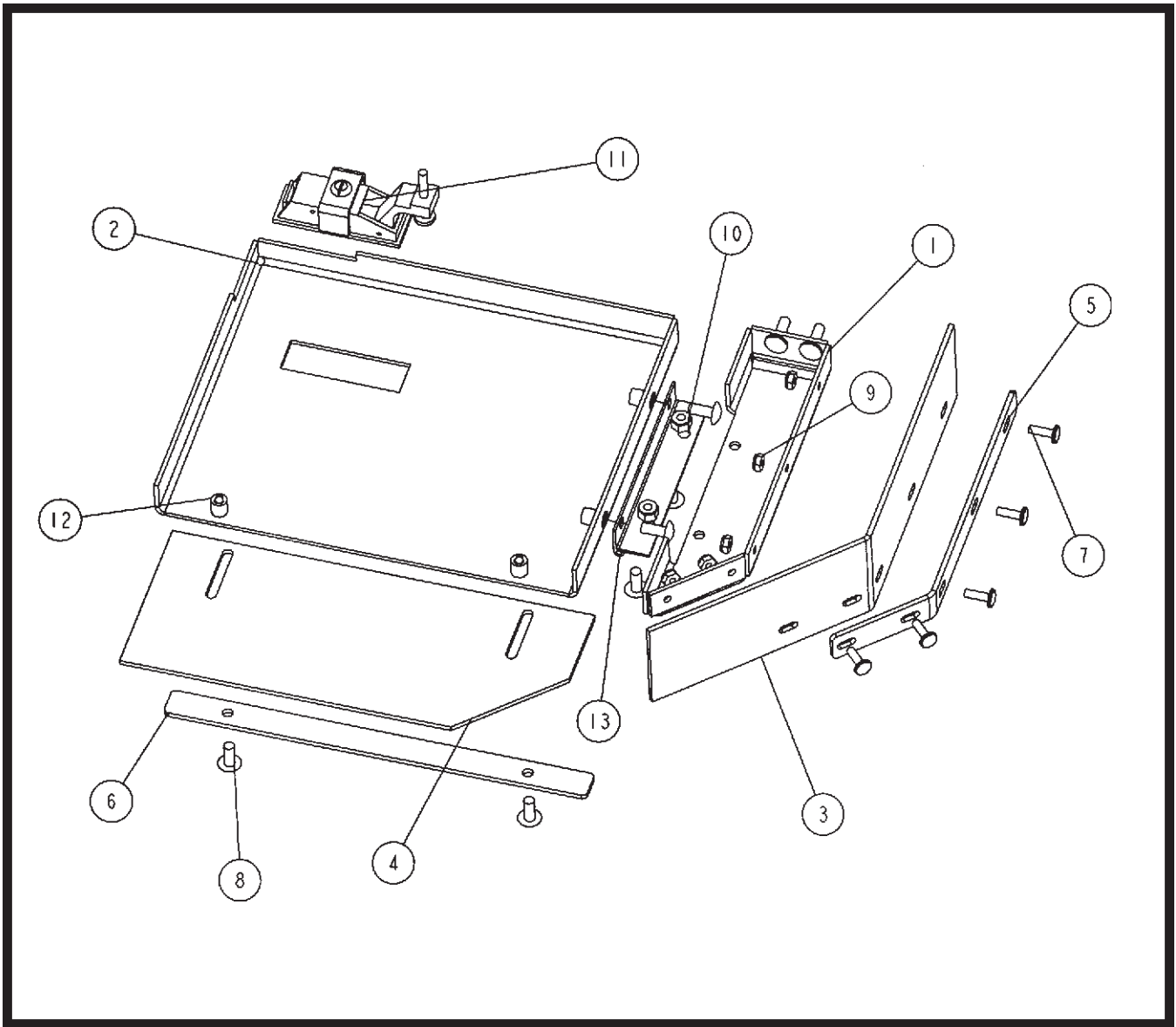
383677 CART ASSEMBLY

Item	Part No.	Qty.	Description
1	383670	1	Cart Weldment
2	430029	2	Caster
3	711439	2	Nut 3/8-16



383660 SIDE COVER ASSY RH

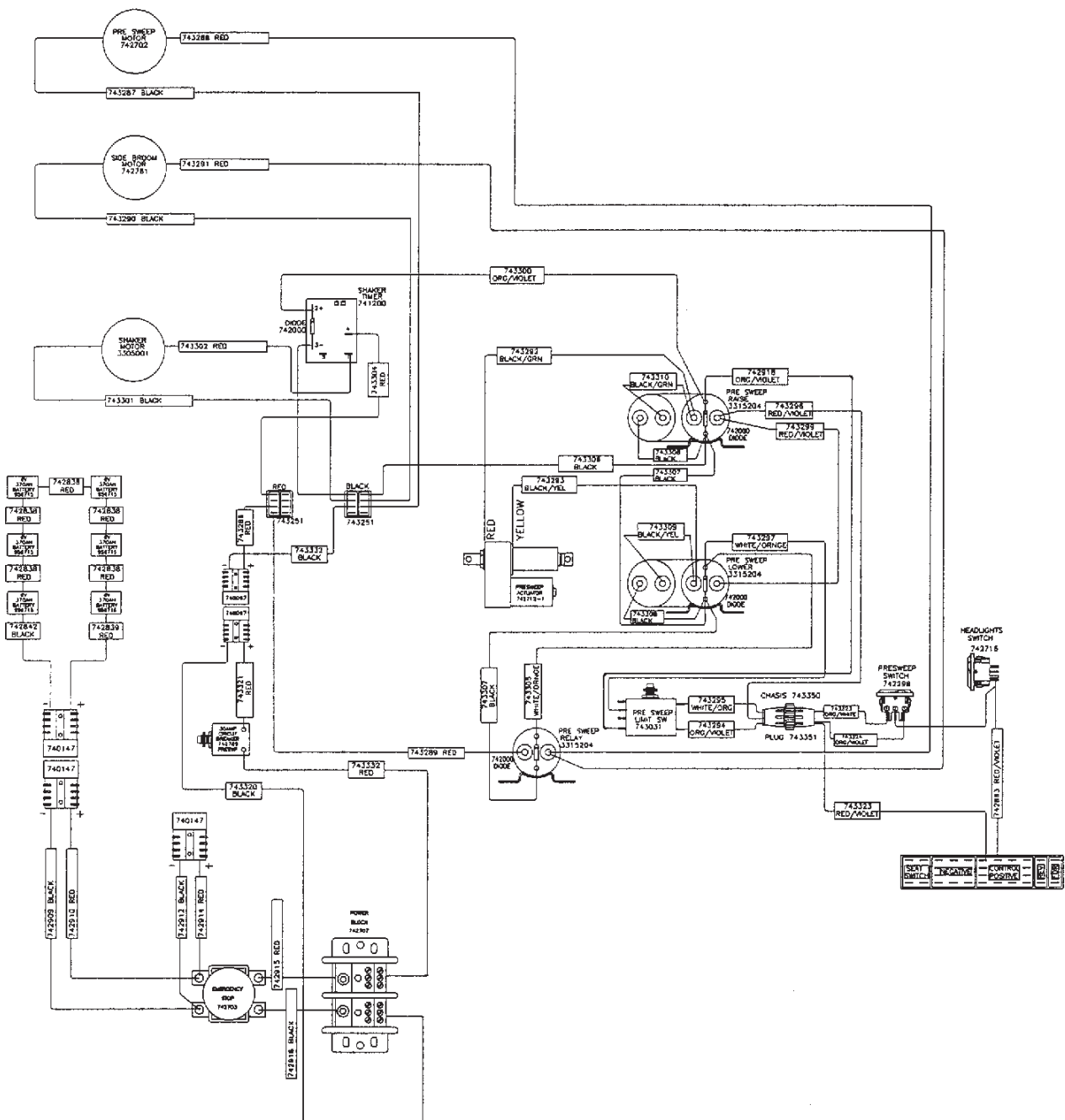
Item	Part No.	Qty.	Description
1	383661	1	Side Cover Weldment RH
2	383681	1	Side Seal
3	383690	1	Front Retainer
4	383691	1	Side Retainer
5	712536	5	10-24 x .75 SS Truss Hd. SCR
6	712565	2	SCR-MC ¼-20 x .63 SS
7	712638	5	Nut, Hex 10-24 Nyloc SS
8	3322188	2	Insert ¼-20 UNC
9	383680	1	Front Seal - LH



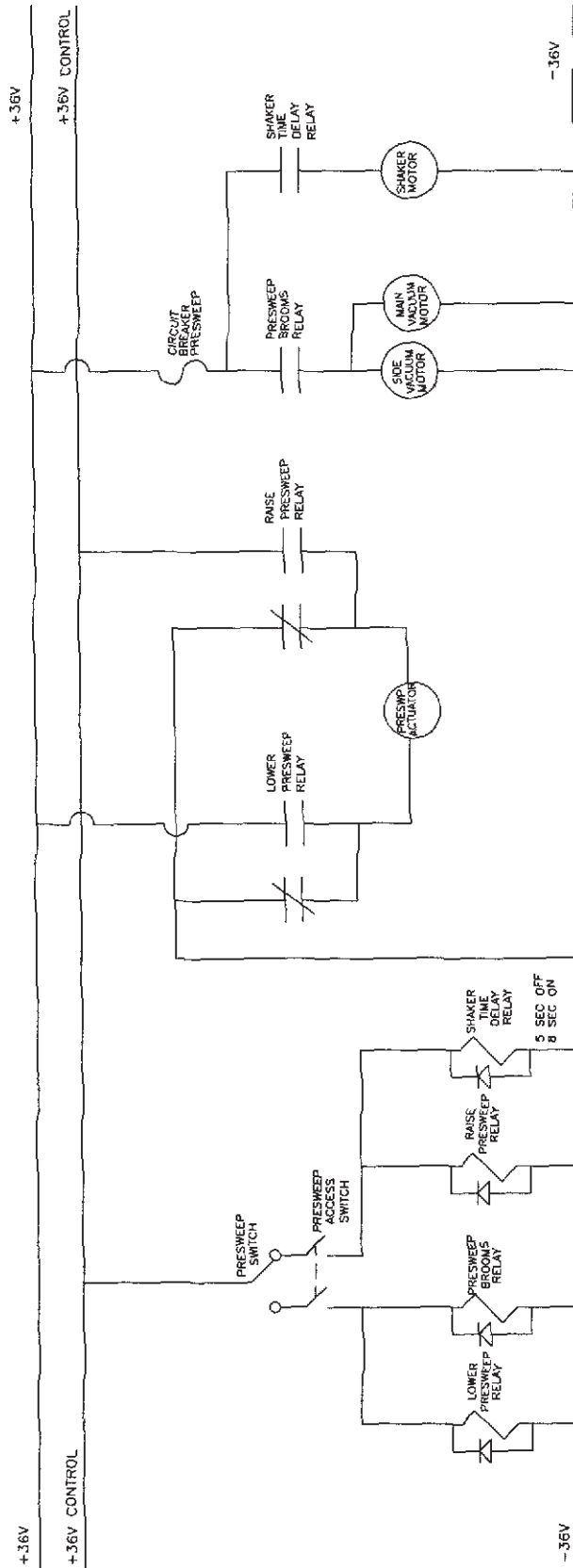
383655 SIDE COVER ASSY LH

Item	Part No.	Qty.	Description
1	383656	1	Side Cover Assy., Fixed, LH
2	383657	1	Side Door, LH
3	383680	1	Front Seal, LH
4	383681	1	Side Seal
5	383690	1	Front Retainer
6	383691	1	Side Retainer
7	712536	5	10-24 x .75 SS Truss Hd. SCR
8	712565	6	SCR-MC ¼-20 x .63 SS
9	712638	5	Nut, Hex 10-24 Nyloc SS
10	712667	2	Nut, Hex ¼-20 Nyloc SS
11	3300380	1	Latch Assy.
12	3322188	4	Insert ¼-20 Unc
13	3323841	1	Hinge

3800 RIDER SWEEPING SYTEM WIRING DIAGRAM



3800 RIDER SWEEPING SYTEM WIRING DIAGRAM



LIMITED WARRANTY

Minuteman International, Inc. warrants to the original purchaser/user that this product is free from defects in workmanship and materials under normal use and service for a period of three years from date of purchase. In addition, Minuteman International, Inc. will, at its option, honor labor warranty claims for the first 12 months from date of sale, provided such claims are submitted through and approved by factory authorized repair stations. Minuteman International, Inc. will, at its option, repair or replace without charge, except for transportation costs, parts that fail under normal use and service when operated and maintained in accordance with the applicable operation and instruction manuals.

This warranty does not apply to normal wear, or to items whose life is dependent on their use and care, such as belts, cords, switches, hoses, rubber parts, electrical motor components or adjustments. Parts not manufactured by Minuteman International, Inc. such as engines, batteries, battery chargers, hydraulic pumps, and tires are covered by and subject to the warranties and/or guarantees of their manufacturers. Please contact Minuteman International, Inc. for procedures in warranty claims against these manufacturers.

Special warning to purchaser — Use of replacement filters and/or prefilters not manufactured by Minuteman International, Inc. or its designated licensees, will void all warranties expressed or implied.

A potential health hazard exists without exact original equipment replacement.

All warranted items become the sole property of Minuteman International, Inc. or its original manufacturer, whichever the case may be.

Minuteman International, Inc. disclaims any implied warranty, including the warranty of merchantability and the warranty of fitness for a particular purpose. Minuteman International, Inc. assumes no responsibility for any special, incidental or consequential damages.

This limited warranty is applicable only in the U.S.A. and Canada, and is extended only to the original user/purchaser of this product. Customers outside the U.S.A. and Canada should contact their local distributor for export warranty policies. Minuteman International, Inc. is not responsible for costs or repairs performed by persons other than those specifically authorized by Minuteman International, Inc. This warranty does not apply to damage from transportation, alterations by unauthorized persons, misuse or abuse of the equipment, use of non-compatible chemicals, or damage to property, or loss of income due to malfunctions of the product.

If a difficulty develops with this machine, you should contact the dealer from whom it was purchased.

This warranty gives you specific legal rights, and you may have other rights which vary from state to state. Some states do not allow the exclusion or limitation of special, incidental or consequential damages, or limitations on how long an implied warranty lasts, so the above exclusions and limitations may not apply to you.

Minuteman[®]
PowerBoss[®]

A Member of the Hako Group of Companies

World Headquarters	<i>PowerBoss</i> [®]
Minuteman International, Inc.	175 Anderson Street
111 South Rohlwing Road	Aberdeen, North
Carolina	
Addison, Illinois 60101	28315 USA

(630) 627-6900
FAX (630) 627-1130

(910) 944-2167
FAX (910) 944-3199

987615
Printed in U.S.A.